

Horizontal Mixer

FARMING

Horizontal Mixer can thoroughly mix various raw components like grain, soya, dry minerals, vitamins and oils together in to a high grade feed. In addition all quantities can be mixed with a high degree of mixing accuracy.



All advantages at a glance

- ✓ Double opposing rotating steel coils which work over the entire length of the mixer
- ✓ Long operating life of the steel coils due to the double bearings of the shafts
- ✓ High mixing accuracy (1:100.000)
- ✓ Very good mixture quality even with the smallest quantities
- ✓ Maintenance-friendly cleaning hatch
- ✓ Residue-free emptying
- ✓ Short mixing times

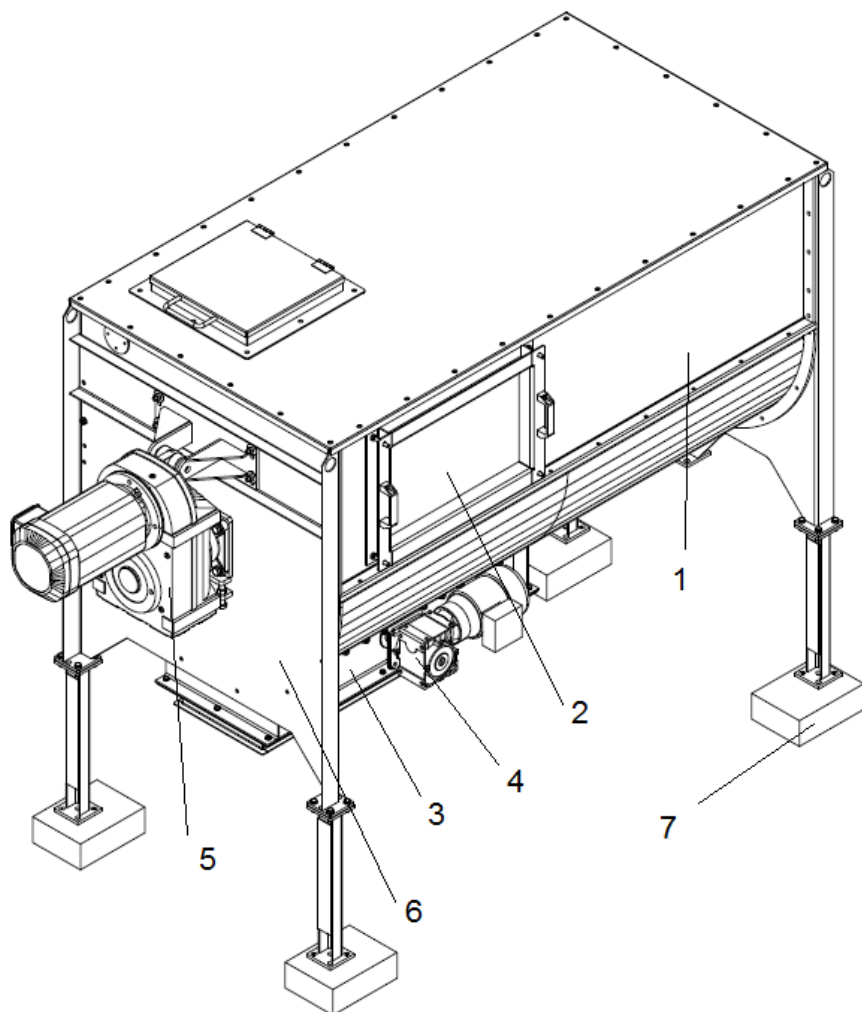


Horizontal Mixer

FARMING

Technical Data

Type	MI 2000	MI 4000
Dimensions (length x width x height), mm	2860x1260x2077	3100x1660x1620
Filling volume (at 650 kg/m ³), litres	2000	4000
Max. fill quantity (at 650 kg/m ³), kg	1000	1950
Mixing time, min	approx. 4-6	4-6
Speed of the coil in the mixer, rpm	approx. 16-17	approx. 13
Motor capacity, kW	7.5	18.5



Item	Description
1	Mixing chamber
2	Hatch for inspection purposes
3	Outlet
4	Slider
5	Gear Motor
6	Frame
7	Load cells

