

Indoor Silos with Trough Augers

FARMING

Trough Auger Silos are used in buildings for the storage of light, difficult to discharge bulk materials such as, for example, flour or bran with which blockages can very often occur. Hot-dip galvanized sheet steel components are standard on these silos. The modular system offers a multitude of combination possibilities. All silos can be increased up to the largest model of the actual range. A blow-in unit complete with tanker flange and pipework, filter box and filter bag can be delivered within the scope of supply or be retrofitted without problems. The silo is supplied with an inspection hatch, inspection glass, steel cover and trough screw conveyor with gear motor.

The gear motor of the 150 trough screw conveyor has as standard a speed of 93 rpm but larger screw conveyors with more power can also be supplied as well as agitator units for especially difficult to discharge bulk materials.

All advantages at a glance

- ✓ The smooth steel sheets ensure optimum hygiene and the best possible emptying of the silo
- ✓ Installation in existing buildings is not a problem, all silo parts pass through a normal door opening
- ✓ The individual modules are made of sheet steel which are easily installed on site and at the point of use
- ✓ The funnel has two vertical sides and two sides with a slope of 60°, under it is the trough screw conveyor
- ✓ The modular system offers a multitude of combination possibilities which can be adapted without problems to the actual requirements and the space relationships
- ✓ A large selection of extension feet is available in order to adapt to the discharge height when necessary

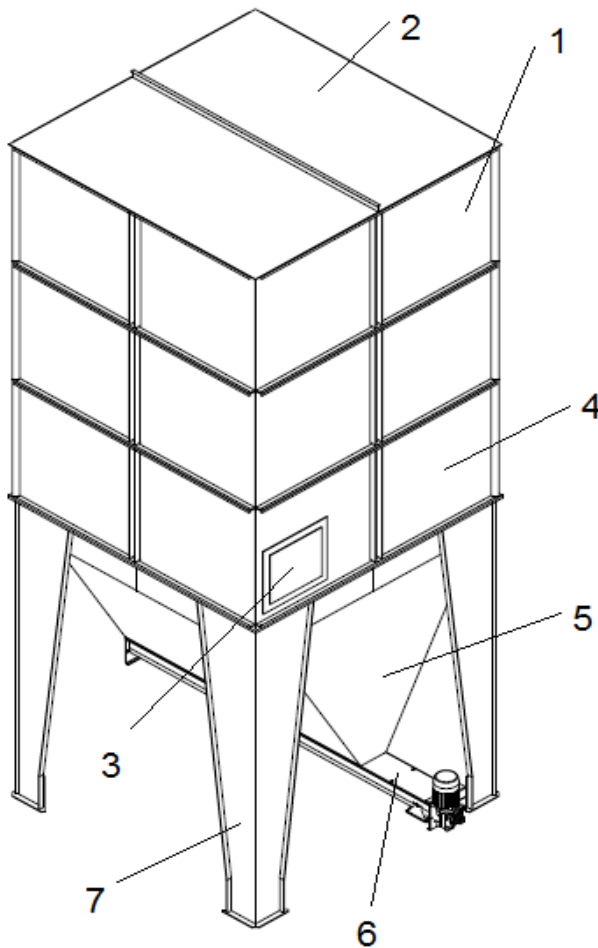


Indoor Silos with Trough Augers

FARMING

Technical Data

Type	Dimensions, mm	Height, m	Volume, m ³	Motor Size, kW
125	1300 x 1950	1.52 - 6.04	0.7 - 7.2	1.5
150	1550 x 2200	1.94 - 5.46	1.3 - 8.7	1.5
200	2050 x 2700	2.28 - 5.82	3.2 - 16.6	2.2
300	3000 x 3650	3.05 - 9.98	10.4 - 63.2	3



Item	Description
1	Galvanized silo segments
2	Cover
3	Inspection hatch
4	Inspection glass
5	Discharge funnel
6	Trough augers
7	Standard foot

