

Tube Augers

FARMING

Tube Augers are intended for the horizontal as well as for the inclined up to 45° transport of flour, grain, pellets and other bulk materials for the storage, processing and utilization of plant-based raw materials in production facilities.

All advantages at a glance

- ✓ Robust construction: Material thickness 1.5-3 mm
- ✓ Galvanized sheet steel for use in the open air
- ✓ Stainless steel for use in the food industry or wet areas
- ✓ Sheet steel – powder coated for applications in internal areas
- ✓ Generous drive sizing with allowance for reserve capacity
- ✓ Direct drive via flexible couplings and gear motor or v-belt drive with electric motor
- ✓ Simple maintenance
- ✓ Space saving due to small area required
- ✓ The tube auger is completely sealed, therefore transport is odourless and dust-free



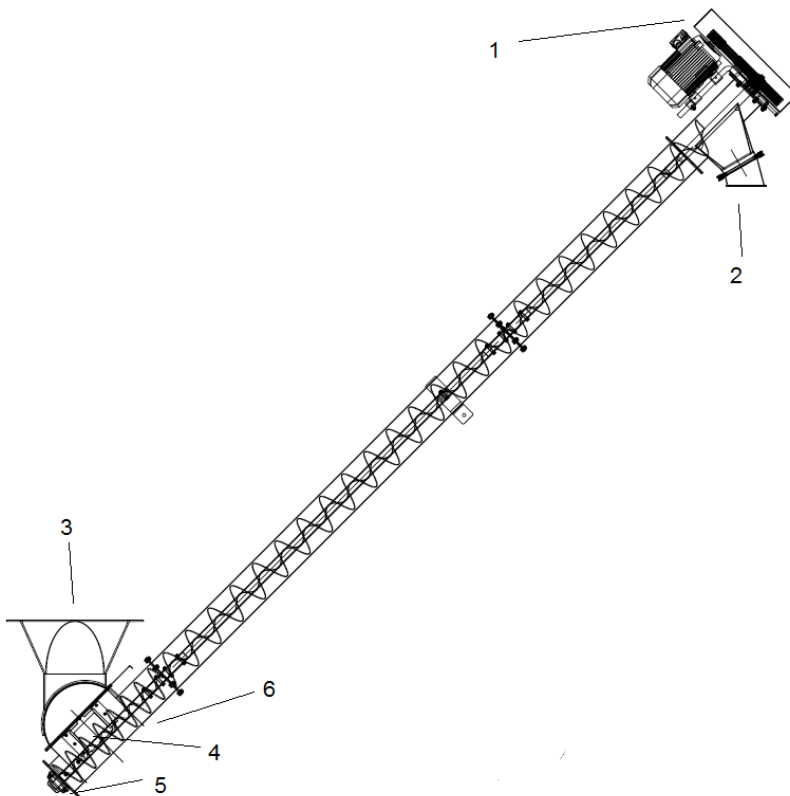
Tube Augers

FARMING

Technical Data

Type	RS 100	RS 150	RS 200	RS 250
Capacity*, t/h	3	13	40	60
Capacity *, m ³ /h	4	16	53	80
Max. length, m	10	10	12	12
Motor power, kW	0.75 - 3	0.75 - 3	3 - 7.5	3 - 11
Rotational speed ,rpm	410	410	390	250

* The capacity data is based on grain with a specific bulk density of 750 kg/m³ and 16% moisture content



Item	Description
1	V-belt drive with electric motor
2	Outlet
3	GFK funnel
4	Auger boot
5	End bearing
6	Receiving auger

