

Vertical Mixer

FARMING

Vertical Mixer are especially well suited to the mixing of granulates and flour products. The feeding in of the products to be mixed can be done via the infeed at the bottom or via a filling in the silo cover. The mixing of the individual product is done via the vertical mixing screw. Due to this system a high level of mixing accuracy of 1:100 000 (depending upon the product) is achieved. The emptying of the mixer is done via the side-mounted discharge. This discharge is directly connected to the mixing screw through which a high degree of emptying is achieved.



All advantages at a glance

- ✓ Space-saving mixer in a robust all-steel construction with steel supports and funnel
- ✓ Massive, vertical mixing screw
- ✓ Drive via V-belts
- ✓ Operation monitoring via an inspection glass
- ✓ Outlet with slider
- ✓ Bottom filling

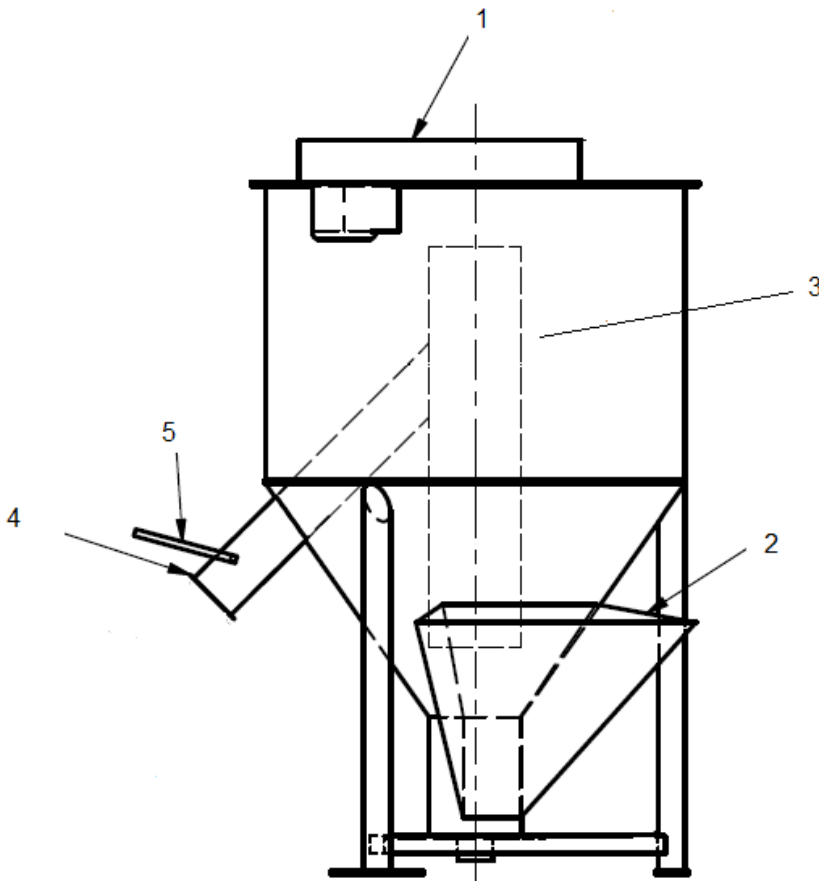


Vertical Mixer

FARMING

Technical Data

Type	VM 500	VM 750	VM 1000	VM 1500	VM 2000
Height, mm	2100	2200	2500	2900	2900
Diameter, mm	1200	1500	1500	1500	1700
Fill volume (flour), kg	500	750	1000	1500	2000
Weight, kg	180	210	240	300	340
Motor power, kW	2.2	2.2	2.2	2.2	3



Item	Description
1	V-belt drive
2	Bottom intake
3	Mixing screw
4	Outlet
5	Manual slider

